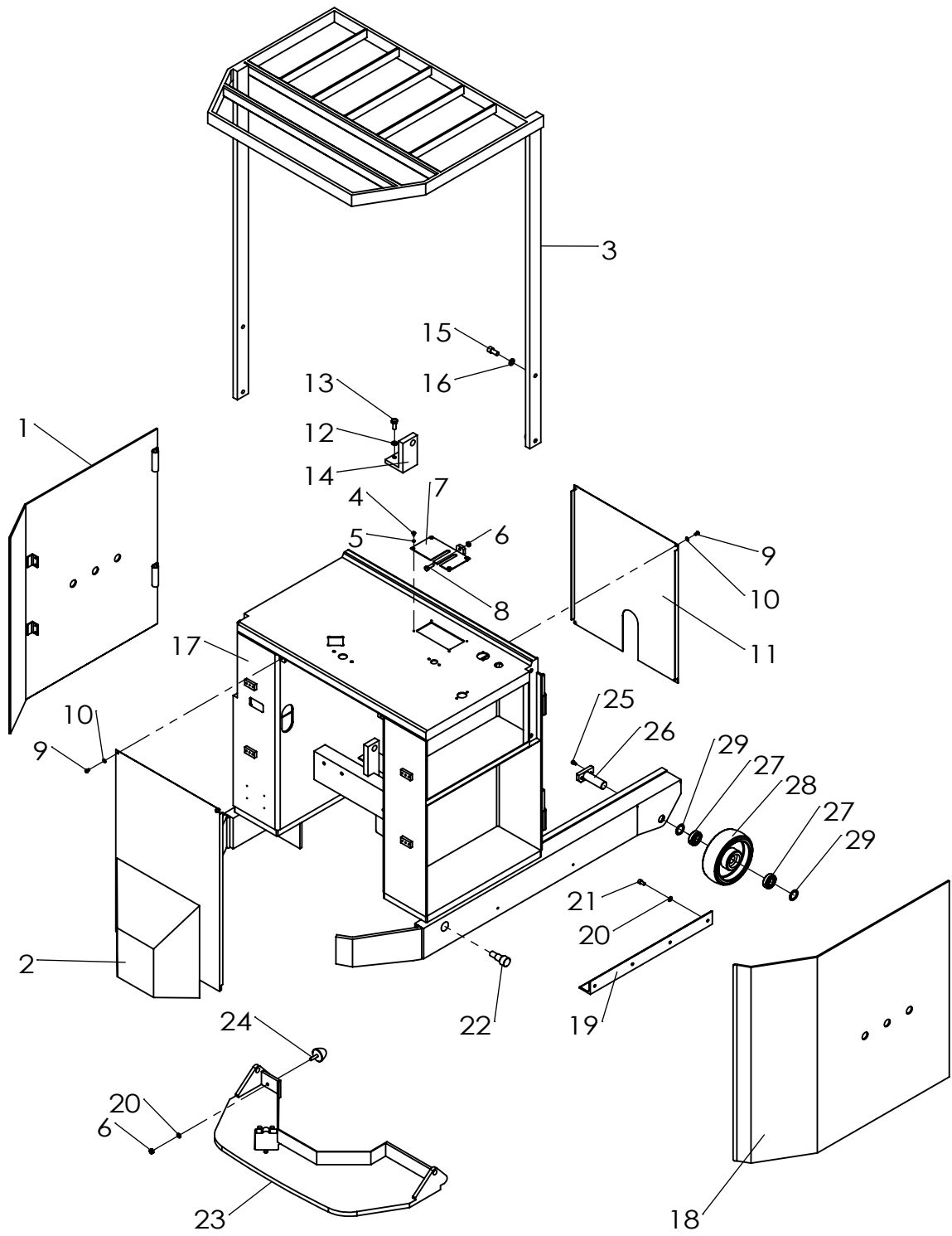


# FRAME

RTP-532



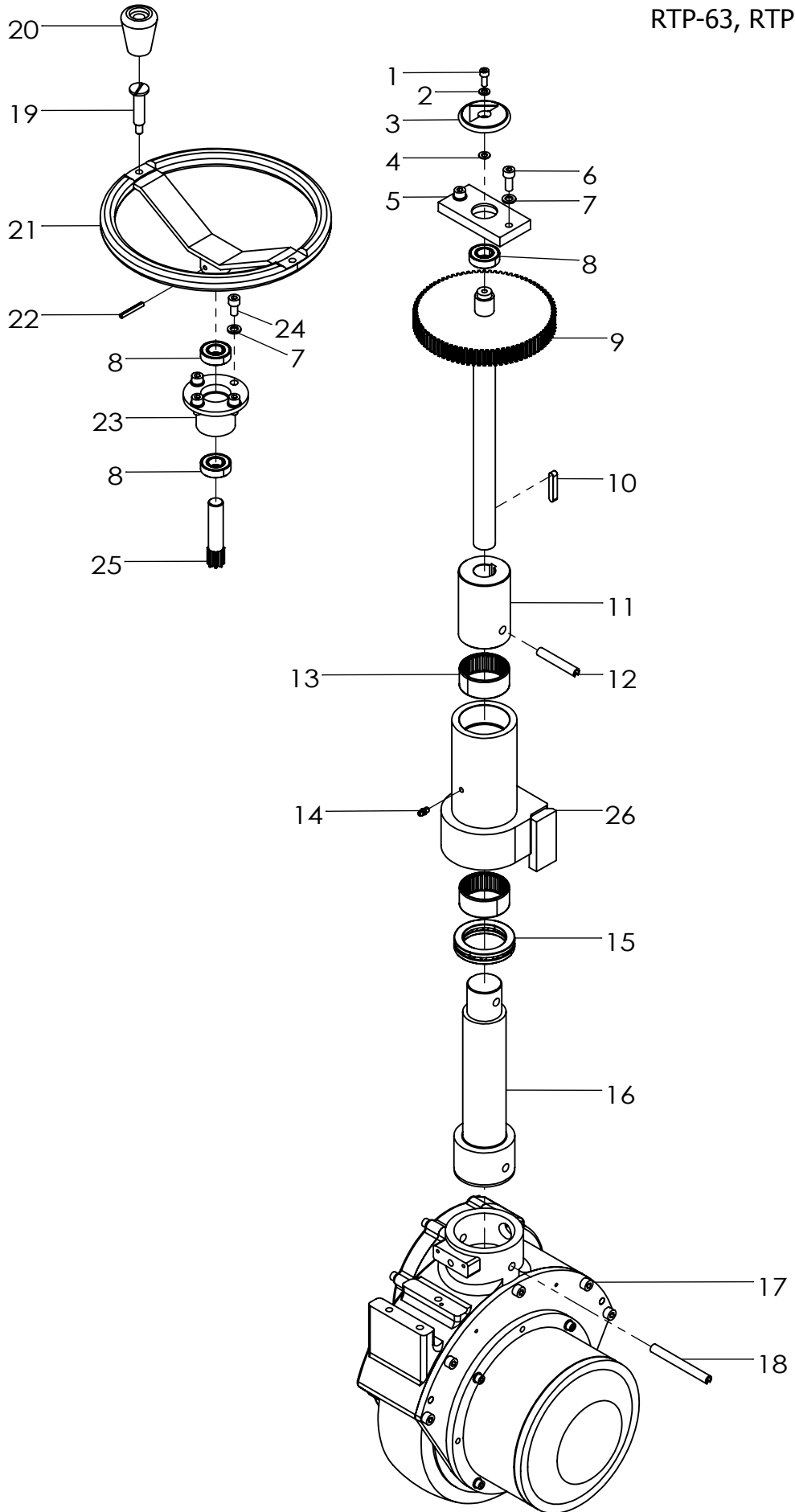
# FRAME

RTP532

NO.	PARTS NO	PARTS NAME	Q' TY	DRAWING NO
1	1603-0100	SIDE COVER L	1	2007118E-1
2	1603-0101	REAR COVER	1	2007117D-1
3	1603-0102	HEAD GUARD	1	E-7119D
4	MS-0510T	P+BOLT M5x10	4	
5	SW-05	SW M5	4	
6	HN-08	H-NUT M8	3	
7	1602-0116	VALVE COVER	1	4005851B
8	HB-0825	H-BOLT M8x25	1	
9	MS-0610N	P-BOLT M6x10	6	
10	SW-06	SW M6	6	
11	1603-0104	FRONT COVER	1	2007117D-2
12	SW-10	SW M10	2	
13	HB-1025	H-BOLTS_M10x25	2	
14	1603-0105	REACH CYLINDER BKT	1	EX-5612A
15	CS-1225	HS-BOLT M12x25	4	
16	SW-12	SW M12	4	
17	1603-0117	FRAME	1	2011648F
18	1603-0108	SIDE COVER R	1	2007118E-2
19	1603-0109	REACH ROLLER GUIDE	2	E-7123A-2
20	SW-08	SW M8	10	
21	CS-0815	HS-BOLT M8x15	8	
22	1603-0110	STEP PIN	2	E-0913B-1
23	1603-0111	STEP	1	2007117D-3
24	0060-0004	RUBBER CUSHION	2	EH-1003
25	CS-0610	HS-BOLT M6x10	4	
26	1603-0112	LOAD WHEEL SHAFT	2	A-0490E-4
27	BB-6005ZZ	BALL BEARING 6005ZZ	4	
28	1602-1000	LOAD WHEEL_ $\phi$ 180x62	2	
29		SHIM $\phi$ 36x $\phi$ 25.3x1.6	4	

# STEERING PARTS

RTP-63, RTP-53A

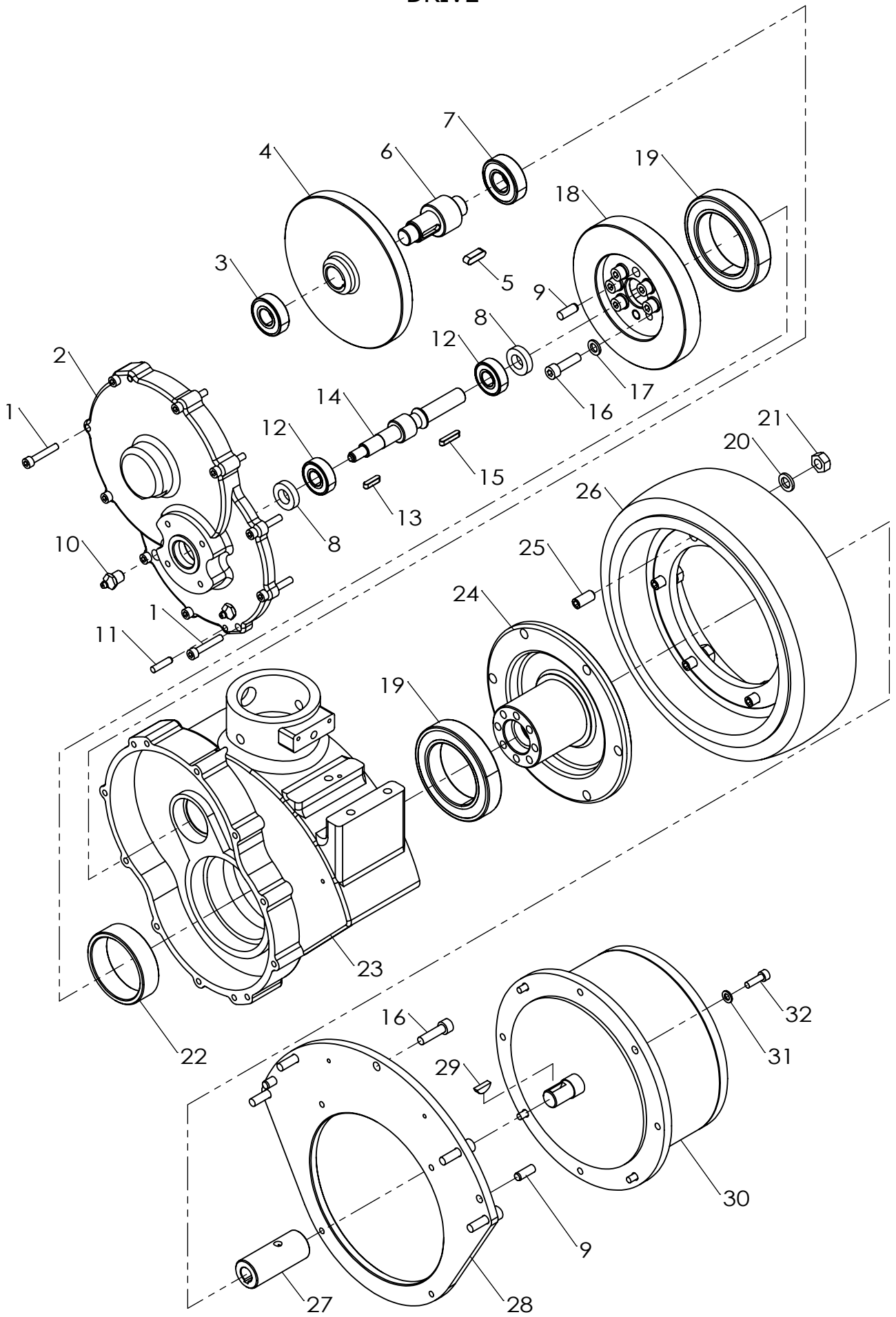


## STEERING PARTS

RTP-63, RTP-53A

NO.	PARTS NO	PARTS NAME	Q' TY	DRAWING NO
1	CS-0615	HS-BOLT M6x15	1	
2	SW-06	SW M6	1	
3	1603-1601	INDICATOR	1	E-0900-2
4	PW-06	PW M6	1	
5	1603-1602	BEARING CASE A	1	EX-6884
6	0002-0820	HS-BOLT M8x20	2	
7	SW-08	SW M8	6	
8	BB-6003ZZ	BALL BEARING 6003ZZ	3	
9	1603-1603	HANDLE SHAFT GEAR	1	EX-6881-6882
10	BK-0740	KEY 7x40	1	
11	1603-1904	COUPLING	1	EX-0730
12	RP-1060	ROLL PIN $\phi$ 10x60	1	
13	NB-HK5025	NEEDLE BEARING HK5025	2	
14	0075-0601	GREASE NIPPLE M6	1	
15	FS-51110	THRUST BEARING 51110	1	
16	1405-1903	DRIVE BRACKET PIN	1	EX-127A
17	1603-0800	DRIVE UNIT	1	
18	RP-1090	ROLL PIN $\phi$ 10x90	1	
19	1603-1604	KNOB BOLT	1	EX-0540
20	1603-1605	KNOB	1	EX-0539
21	1603-1606	HANDLE	1	E-2208B
22	RP-0535	ROLL PIN $\phi$ 5x35	1	
23	1603-1607	BEARING CASE B	1	EX-6885A
24	CS-0815	HS-BOLT M8x15	4	
25	1603-1608	PINION GEAR	1	EX-6883
26	1405-1902	DRIVE METAL	1	E-2947

# DRIVE



## DRIVE

RTP-63, RTP-53A

NO.	PARTS NO	PARTS NAME	Q' TY	DRAWING NO
1	CS-0635	HS-BOLT M6x35	10	
2	1603-0801	COVER	1	3002866
3	BB-6203ZZ	BALL BEARING 6203ZZ	1	
4	1603-0802	HELICAL GEAR	1	4010150
5	BK-0724	KEY 7x24	1	
6	1603-0803	SPUR PINION	1	4010151
7	BB-6204ZZ	BEARING 6204ZZ	1	
8	0067-0010	OIL SEAL	2	AC15287
9	PP-0822	PARALLEL PIN 8x22	4	
10	0075-1401	GREASE NIPPLE 1/4	2	
11	PP-0625	PARALLEL PIN 6x25	2	
12	BB-6202ZZ	BALL BEARING 6202ZZ	2	
13	BK-0520	KEY 5x20	1	
14	1603-0804	INPUT SHAFT	1	4010149
15	BK-0525	KEY 5x25	1	
16	CS-0830	HS-BOLT M8x30	11	
17	SW-08	SW M8	6	
18	1603-0805	SPUR GEAR	1	4010152
19	BB-6013DDU	BALL BEARING 6013DDU	2	
20	SW-10	SW M10	6	
21	HN-10	H-NUT M10	6	
22	1603-0806	COLLAR	1	4010153
23	1603-0807	CASING	1	2012416A
24	1603-0808	TIRE BOSS	1	3002871
25	SS-1022	S-BOLT M10x22	6	
26	1603-0809	TIRE 285x80 URETHANE	1	
27	1100-0805	COUPLING	1	EX-3769
28	1603-0810	MOTOR MOUNTING PLATE	1	3002870
29	HK-0519	HALF KEY 5x19	1	
30	9204-0001	MOTOR ASSEMBLY	1	3002878

## DRIVE

RTP-63, RTP-53A

NO.	PARTS NO	PARTS NAME	Q' TY	DRAWING NO
31	SW-06	SW M6	4	
32	CS-0620	HS-BOLT M6x20	4	
	1603-0800	DRIVE ASSY	1	





## OIL PIPING

RTP532-A1

NO.	PARTS NO	PARTS NAME	Q' TY	DRAWING NO
1	0062-0003	LEVER KNOB	2	
2	0170-0007	VALVE LEVER 220ARL LIFT	1	EX-4476A, VP-184-340
3	0170-0008	VALVE LEVER 220ARR REACH	1	EX-4476A, VP-184-340
4	0170-0021	CAM A	1	4009417
5	0170-0022	CAM B	1	4009418
6	0170-0014	LINK PIN	2	
7	0170-0015	WASHER	2	
8	SP-0110	SPLIT PIN $\phi$ 1x10	2	
9	SW-03	SW M3	2	
10	MS-0325N	P-BOLT M3x25	2	
11	0170-0011	LEVER PIN	4	
12	LW-03I	CON-SW $\phi$ 3	4	
13	HN-03	H-NUT M3	4	
14	0170-0012	LINK	2	
15	CS-0512	HS-BOLT M5x12	4	
16	0170-0013	LIMIT BRACKET	2	4009420B
17	PW-10	PW M10	4	
18	SW-10	SW M10	4	
19	CS-1025	HS-BOLT M10x25	4	
20	1602-1206	VALVE KVSE-36B-2	1	
21	ORP-14	O-RING P14	8	
22	0080-0018	BUSHING PF3/8xPT1/4	2	
23	0080-0006	BUSHING PF3/8xPT3/8	5	
24	0091-0319	VALVE PLUG PF3/8	1	
25	0073-1318	NIPPLE HP PT3/8xPT3/8	2	
26	9252-0001	LIFT MOTOR 1.5kw 6341	1	
27	0102-6060	Hose HP 1/4 x 600	2	
28	0102-9135	Hose HP 3/8 x 1330	1	
29	0102-9060	Hose HP 3/8 x 600	1	
30	0080-0009	ELBOW 9000° 1/4x1/4	2	

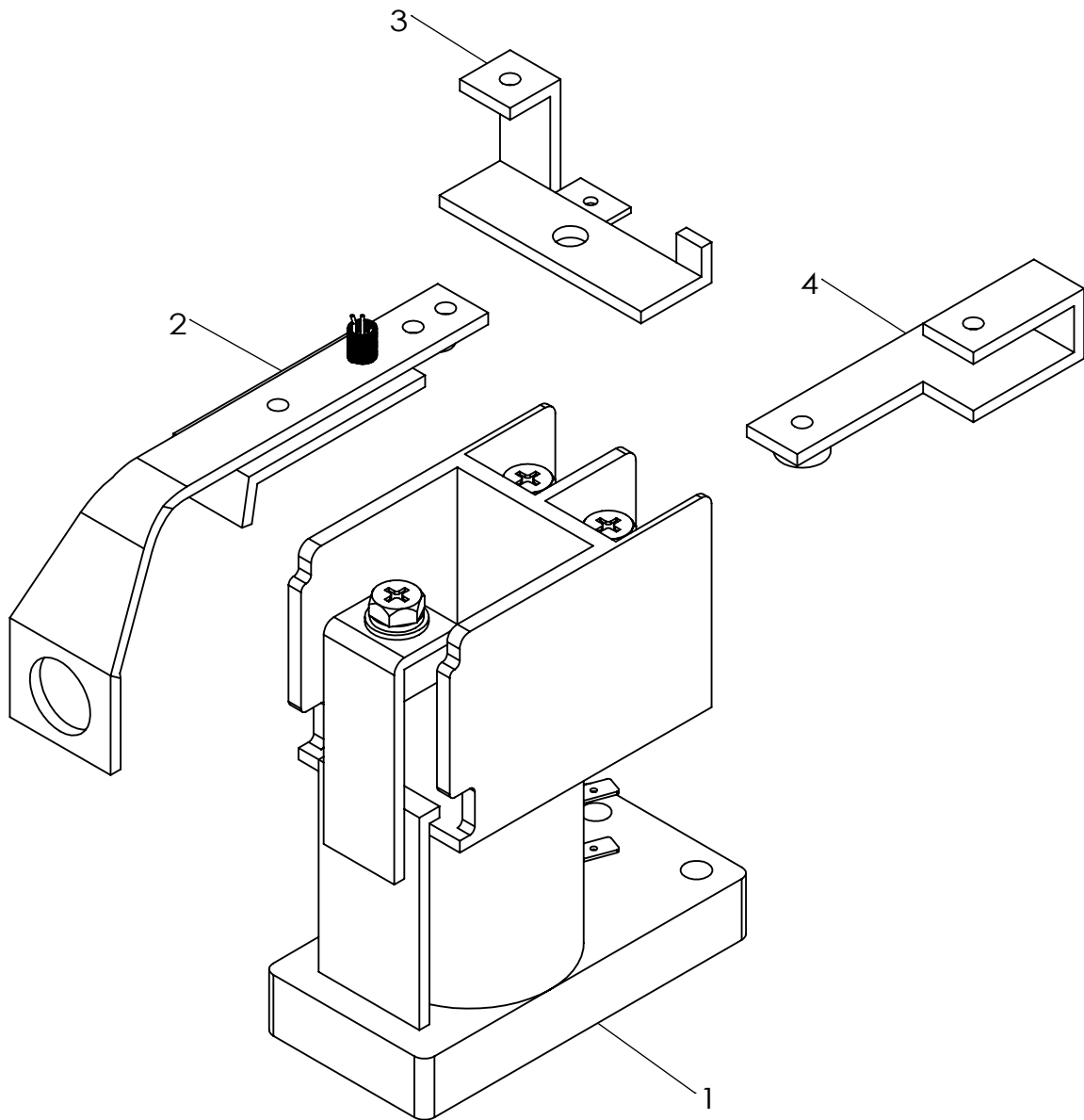
## OIL PIPING

RTP532-A1

NO.	PARTS NO	PARTS NAME	Q' TY	DRAWING NO
31	1603-0700	REACH CYLINDER	1	
32	1603-1301	TANK CAP	1	4007377B
33	1603-1300	OIL TANK	1	
34	0080-0001	STREET ELBOW 3/8	1	
35	0073-0112	HOSE NIPPLE 14x1/2	3	
36	0105-0019	HOSE BAND $\phi$ 19	4	
37	0073-0318	HOSE NIPPLE 3/8x $\phi$ 10.5	1	
38	0080-0008	STREET ELBOW 1/2	1	
39	ORP-18	O-RING P18	1	
40	0080-0005	BUSHING PF1/2xPT1/2	1	
41	0101-1218A	VINYL HOSE $\phi$ 12x $\phi$ 18x450L	1	
42	0101-1218B	VINYL HOSE_ $\phi$ 12x $\phi$ 18x280L	1	
43	0101-0915	VINYL HOSE $\phi$ 9.5x15x2900L	1	
44	0105-0016	HOSE BAND $\phi$ 16	2	
45	0073-0319	HOSE NIPPLE 3/8x $\phi$ 14	1	
46	1405-1102	GEAR PUMP YP10-2.5	1	
47	1501-0507	LIFT CYLINDER S=1250	1	
48	1602-1100	RELAY BLOCK	1	EX-1334
49	0102-9035	HOSE HP 3/8 x 350	1	
50	0080-0013	STREET ELBOW HP 3/8	1	
51	0080-0003	HOSE ELBOW 45° 3/8x3/8	1	

# MAGNET SWITCH 1

CM4-TX



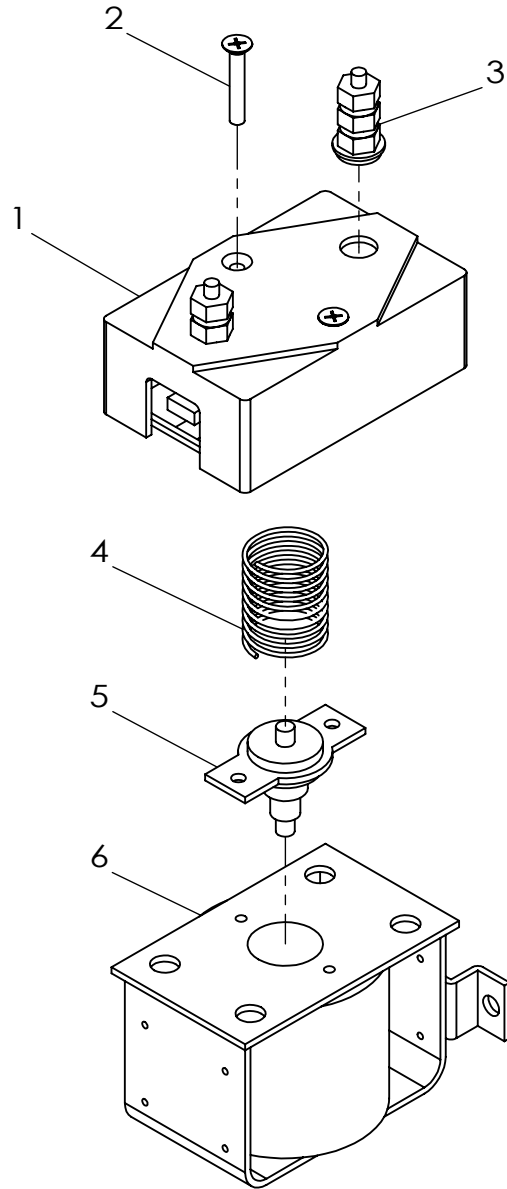
## MAGNET SWITCH 1

CM4-TX

NO.	PARTS NO	PARTS NAME	Q' ty	DRAWING NO
1	9015-0002	MAGNET COIL BASE	1	
2	9015-0003	CONTACT POINT MOVABLE	1	
3	9015-0004	CONTACT POINT FIXED A	1	
4	9015-0005	CONTACT POINT FIXED B	1	
	9015-0001	MAGNET SWITCH ASSY	1	

# MAGNET SWITCH 2

SW80



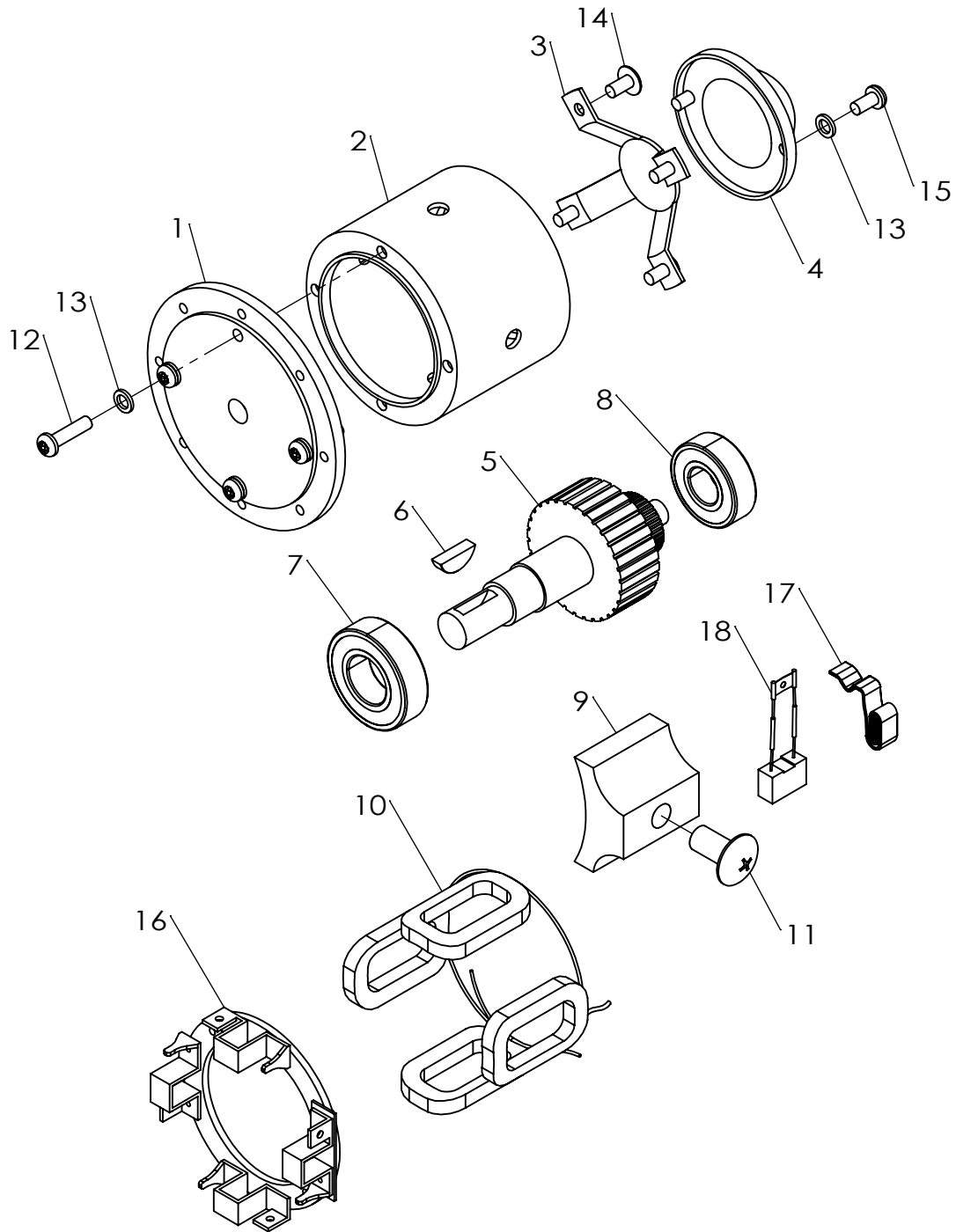
## MAGNET SWITCH 2

SW80

NO.	PARTS NO	PARTS NAME	Q' ty	DRAWING NO
1	9016-0002	CONTACT COVER	1	
2	MS-0425S	F-BOLT M4x25	2	
3	9016-0003	CONTACT POINT FIXED	2	
4	9016-0004	SPRING	1	
5	9016-0005	CONTACT POINT MOVABLE	1	
6	9016-0006	MAGNET COIL BASE	1	
	9016-0001	MAGNET SWITCH ASSY	1	

# DRIVE MOTOR

KM-2476



## DRIVE MOTOR

KM-2475

NO.	PARTS NO	PARTS NAME	Q' ty	DRAWING NO
1	9203-0002	END COVER A	1	
2	9204-0003	YOKE	1	
3	9204-0004	END COVER B	1	
4	9204-0005	END COVER C	1	
5	9204-0006	ARMATURE COIL	1	
6	HK-0519	HALF KEY 5x19	1	
7	BB-6004ZZ	BALL BEARING 6004ZZ	4	
8	BB-6202ZZ	BALL BEARING 6202ZZ	1	
9	9204-0007	FIELD CORE	4	
10	9204-0012	FIELD COIL	1 SET	
11	MS-1020T	P+BOLT M10x20	4	
12	MS-0520N	P-BOLT M5x20	4	
13	SW-05	SW M5	6	
14	MS-0510T	P+BOLT M5x10	4	
15	MS-0510N	P-BOLT M5x10	2	
16	9204-0013	BRUSH HOLDER	1 SET	
17	9204-0010	SPRING	4	
18	9205-0011	CARBON BRUSH	4	
	9204-0001	DRIVE MOTOR ASSY	1	KM-2475

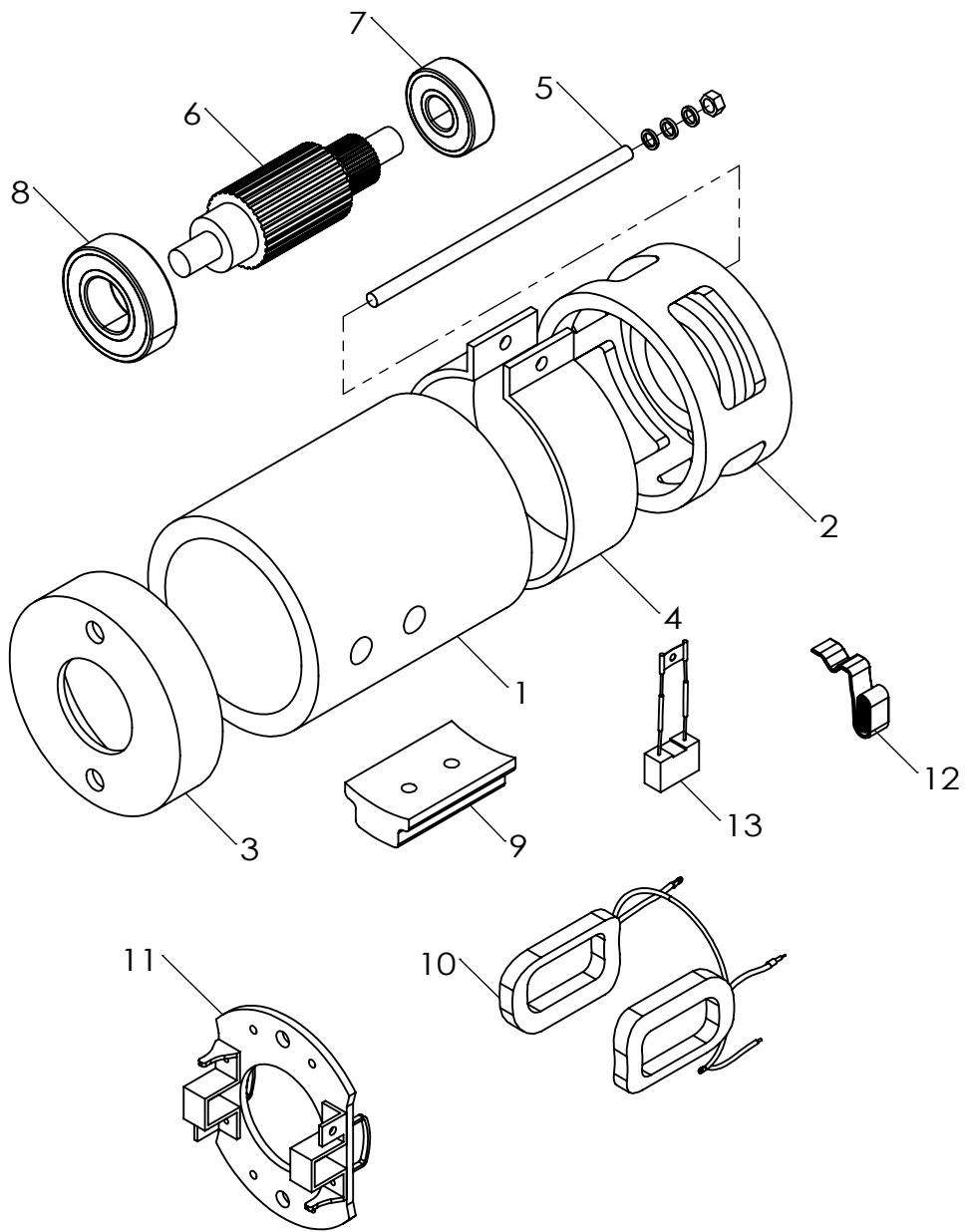
## KM-2475 モーター使用機種

NHP-103  
 THP-304, THP-153, THP-103  
 DHP-53  
 LHP-203, LHP-173, LHP-153  
 OHP-203, OHP-153, OHP-103  
 FHP-53  
 RHP-93  
 RTP-63, RTP-53A  
 SHP-103, SHP-73



# OIL MOTOR

24v-1.5kw 6341

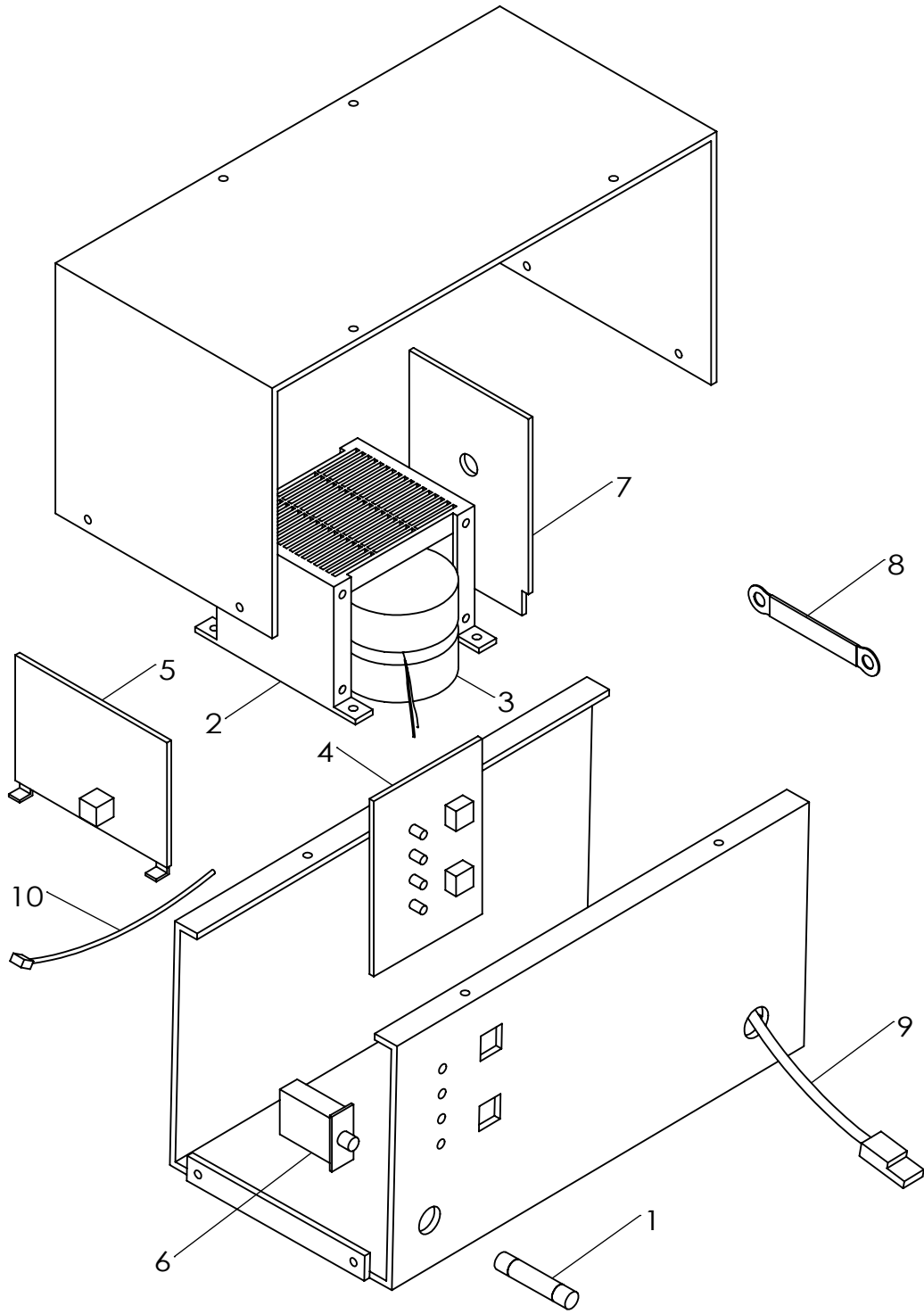


## OIL MOTOR

24v-1.5kw 6341

NO.	PARTS NO	PARTS NAME	Q' ty	DRAWING NO
1	9253-0002	YOKE	1	
2	9253-0003	REAR COVER	1	
3	9253-0004	FRONT COVER	1	
4	9253-0005	COMMUTATOR COVER	1	
5	9253-0006	BOLT SET	2 SET	
6	9253-0007	ARMATURE COIL	1	
7	BB-6201ZZ	BALL BEARING 6201ZZ	1	
8	BB-6004ZZ	BALL BEARING 6004ZZ	1	
9	9253-0008	FIELD CORE	2	
10	9253-0009	FIELD COIL	1 SET	
11	9253-0010	BRUSH HOLDER	1 SET	
12	9253-0011	SPIRAL SPRING	2	
13	9253-0012	CARBON BRUSH	2	
	9253-0001	OIL MOTOR ASSY	1	24V-1.5kw 6341

# CHARGER



## CHARGER

NO.	PARTS NO	PARTS NAME	Q' ty	DRAWING NO
1	9119-0001	FUSE	1	
2	9119-0002	TRANSFORMER	1	
3	9118-0003	THERMAL PROTECTOR	1	
4	9118-0004	PRINT BOARD	1	
5	9118-0005	PRINT BOARD	1	
6	9118-0006	PUSH BUTTON SWITCH	1	
7	9118-0007	SILICON STACK	1	
8	9118-0008	SHORT CIRCUIT PTOTECTION	1	
9	9118-0009	BATTERY CODE	1	
10	9118-0010	INPUT CODE	1	
	9119-0000	CHARGER ASSY	1	KS-2420D